

KOYO WATERTIGHT LED CEILING LIGHT

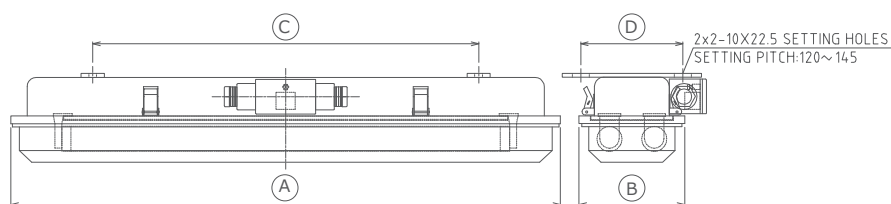
IP55

[Features and Benefits]

- Rated input voltage 100-242V
- Replaceable from fluorescent luminaires
- Energy savings of up to 50 % (compared to luminaires that use fluorescent lamps)
- IP55
- Including Osram lamps (2pcs)
- Compliant product for vibration countermeasure standard(JISF8006)

[OPTION]

- Lamp protect guard, Hanging parts



	Model No.	Rated input voltage	External size (mm)		Mounting size (mm)		Net weight (kg)	Equivalent of IMPA No.	Using Lamp	Color temperature	Power consumption (W)
			A	B	C	D					
Equivalent of 20W fluorescent lamps (2 lights)	KOS2247BB	100-242V	712	137	500	132.5	2.6	791882 791913	ST8A-0.6M 8.7W/865	Cool Daylight (6500K)	17.4
Equivalent of 40W fluorescent lamps (2 lights)	KOS4247B	100-242V	1332	137	1100	132.5	4.8	791884 791887	ST8A-1.2M 17.5W/865	Cool Daylight (6500K)	35.0

- ※Depending on usage environment, there could be cases life of lamps may be shorter.
- ※Rated life is not guaranteed figures, but average.
- ※Please do not to use any other than recommended lamps.
- ※Please do not use any fluorescent lamps to replace LED lamps.

*You can also choose another color temperature lamp.
(Cool white 4000K, Daylight 5000K)



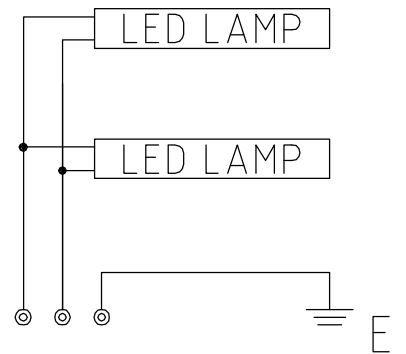
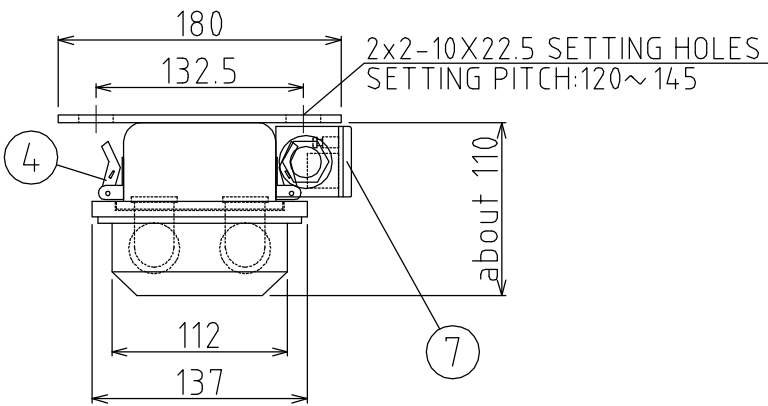
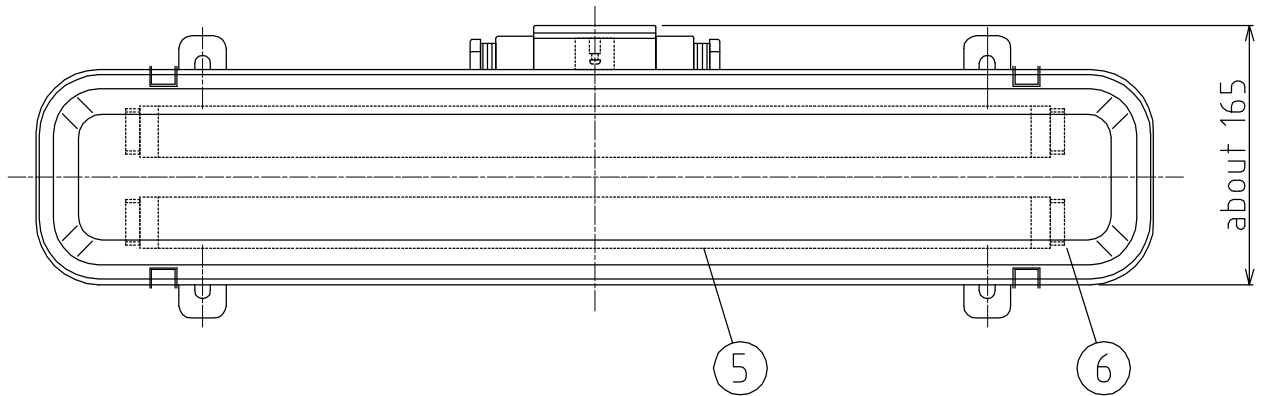
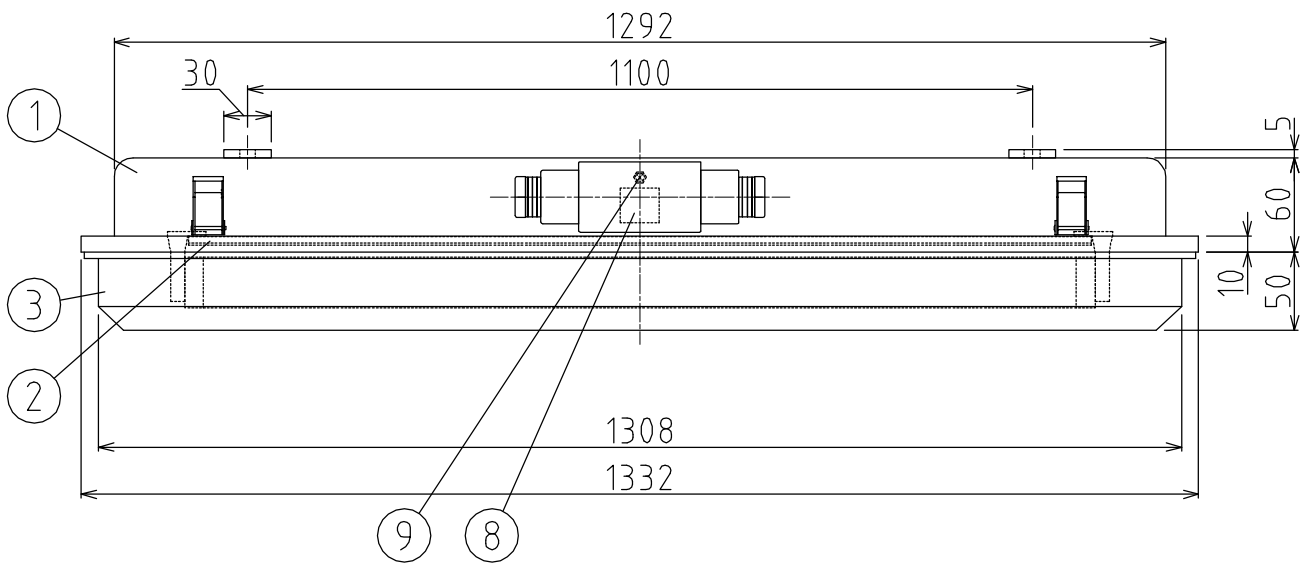
Please check here for specifications
URL: <http://www.koyodenki.co.jp/photo/Goods/Photo4/2020082791113.pdf>

[Information]

OSRAM LEDVANCE

General Agency
KOYO Denki.co.ltd
 3-1-18 Hiyoshi-town, Nagata-ward,
 Kobe city, Hyogo precture
 653-0039
 TEL:078-631-1212 FAX:078-647-5511
<http://www.koyodenki.co.jp>
 E-mail:ship@koyodenki.co.jp

Sales Agency



WEIGHT:4.8Kg

8	TERMINAL BOARD	-	1	JISF8812 0-20-2	10		
7	TERMINAL BOX	-	1	2G-20F TYPE	9	EARTH TERMINAL	BSBM 1 JISF8811 2F-20A
6	LAMP HOLDER	-	4	4212-50:2A500V:G13	FL-40Wx2TYPE LED LIGHT FOR MARINE USE SURFACE MOUNTING TYPE		
5	LED LAMP	-	2	OSRAM ST8A-1.2M 100~242V			
4	GLOBE STOPPER	SUS	8	PAINTING			
3	GLOBE	STYROL RESIN	1	CLEAR	CHECKED BY T.KIBE		
2	REFLECTOR	STEEL PLATE	1	PAINTING	DRAWN BY T.OKUBO		
1	BODY	STEEL PLATE	1	PAINTING	SCALE --- DATE 2020.JUN.17		
					DRAWING No.20200617-001		
					KOYO DENKI CO.,LTD		
No.	NAME	MATERIAL	QTY	REMARKS			