

# KOYO WATERTIGHT LED CEILING LIGHT

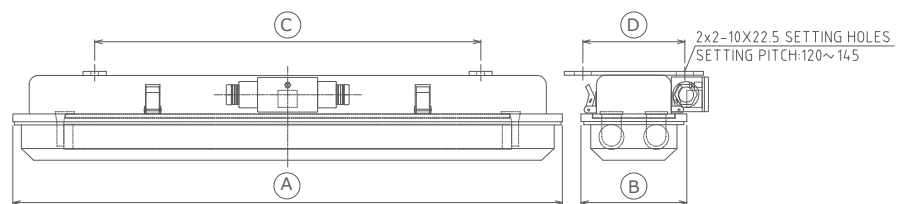
IP55

## [Features and Benefits]

- Rated input voltage 100-242V
- Replaceable from fluorescent luminaires
- Energy savings of up to 50 % (compared to luminaires that use fluorescent lamps)
- IP55
- Including Osram lamps (2pcs)
- Compliant product for vibration countermeasure standard(JISF8006)

## [OPTION]

- Lamp protect guard, Hanging parts



	Model No.	Rated input voltage	External size (mm)		Mounting size (mm)		Net weight (kg)	Equivalent of IMPA No.	Using Lamp	Color temperature	Power consumption (W)
			A	B	C	D					
Equivalent of 20W fluorescent lamps (2 lights)	KOS2247BB	100-242V	712	137	500	132.5	2.6	791882 791913	ST8A-0.6M 8.7W/865	Cool Daylight (6500K)	17.4
Equivalent of 40W fluorescent lamps (2 lights)	KOS4247B	100-242V	1332	137	1100	132.5	4.8	791884 791887	ST8A-1.2M 17.5W/865	Cool Daylight (6500K)	35.0

- ※ Depending on usage environment, there could be cases life of lamps may be shorter.
- ※ Rated life is not guaranteed figures, but average.
- ※ Please do not to use any other than recommended lamps.
- ※ Please do not use any fluorescent lamps to replace LED lamps.

\*You can also choose another color temperature lamp.  
(Cool white 4000K, Daylight 5000K)



Please check here for specifications  
URL: <http://www.koyodenki.co.jp/photo/Goods/Photo4/2020082791113.pdf>

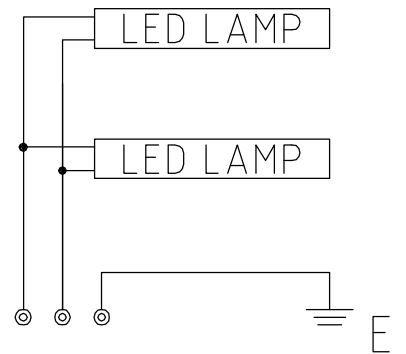
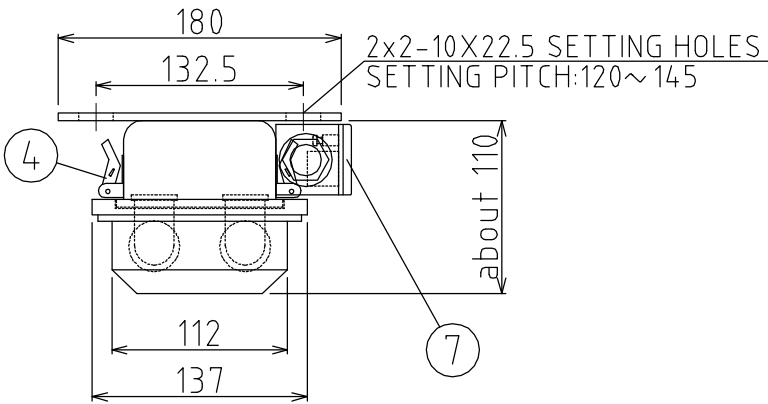
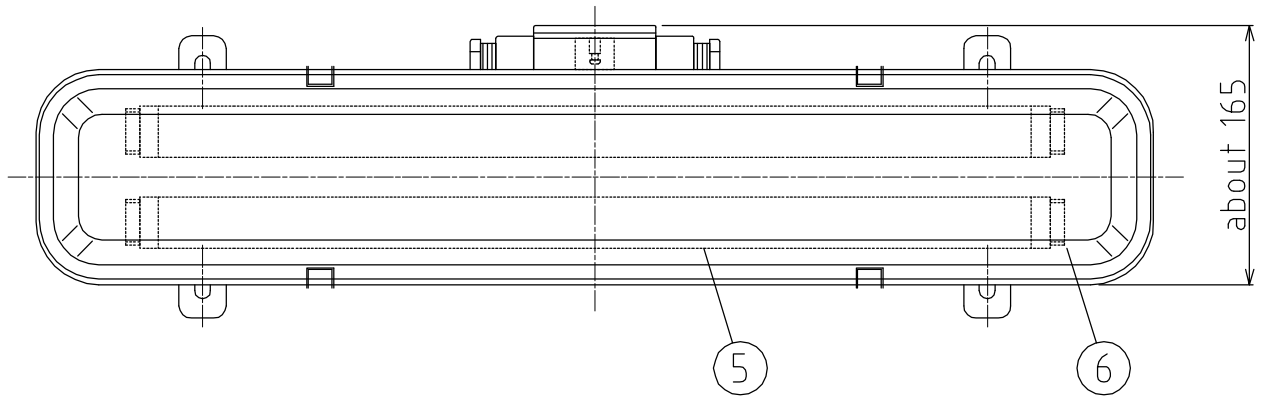
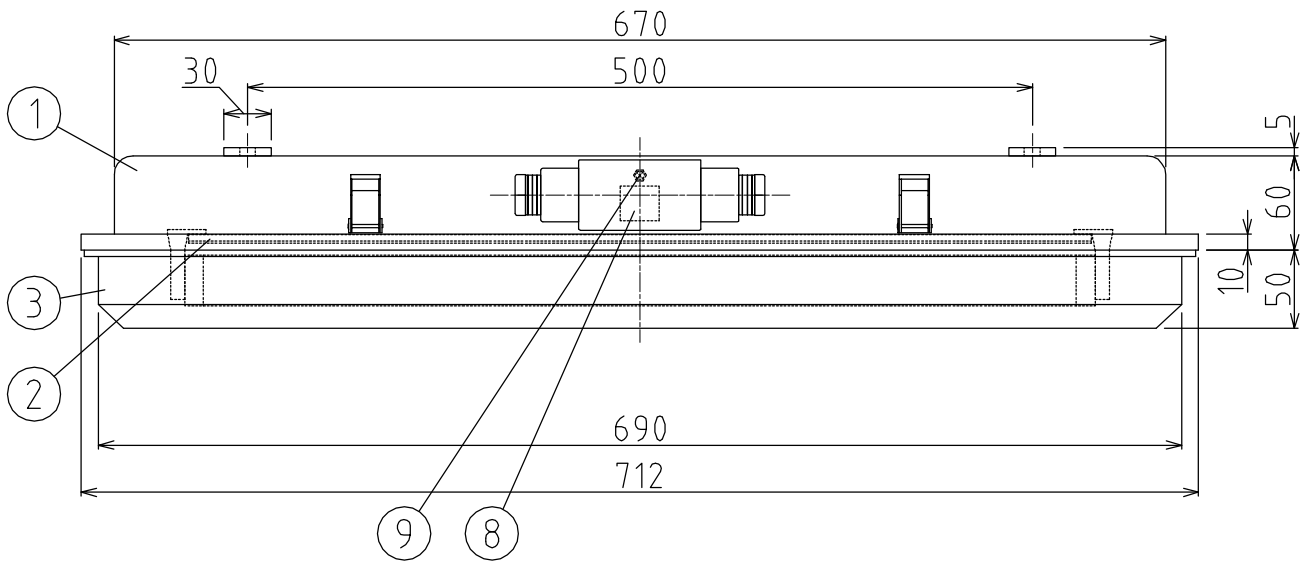
## [Information]

## OSRAM LEDVANCE

General Agency  
**KOYO Denki.co.ltd**  
3-1-18 Hiyoshi-town, Nagata-ward,  
Kobe city, Hyogo precture  
653-0039

TEL:078-631-1212 FAX:078-647-5511  
<http://www.koyodenki.co.jp>  
E-mail:ship@koyodenki.co.jp

## Sales Agency



WEIGHT:2.6kg

8	TERMINAL BOARD	-	1	JISF8812 0-20-2	10		
7	TERMINAL BOX	-	1	2G-20F TYPE	9	EARTH TERMINAL	BSBM 1 JISF8811 2F-20A
6	LAMP HOLDER	-	4	4212-50:2A500V:G13	FL-20Wx2TYPE LED LIGHT FOR MARINE USE SURFACE MOUNTING TYPE		
5	LED LAMP	-	2	OSRAM ST8A-0.6M 100~242V			
4	GLOBE STOPPER	SUS	8	PAINTING	KOS-2247BB 2G BOX TYPE		
3	GLOBE	STYROL RESIN	1	CLEAR	CHECKED BY T.KIBE		
2	REFLECTOR	STEEL PLATE	1	PAINTING	DRAWN BY T.OKUBO		
1	BODY	STEEL PLATE	1	PAINTING	SCALE --- DATE 2020.JUN.17		
No.	NAME	MATERIAL	QTY	REMARKS	DRAWING No.20200617-002		
					KOYO DENKI CO.,LTD		